

RMGZ 900 Series Force Measuring Roller

10 times overload protection

No recalibration required

20 : 1 force measuring range

Wide measuring capability

Nominal forces from 50 – 1000 N

[11 – 225 lbf]

Sizes available for every application

Stainless steel sensor, anodised roller

Corrosion resistant, ultra-durable

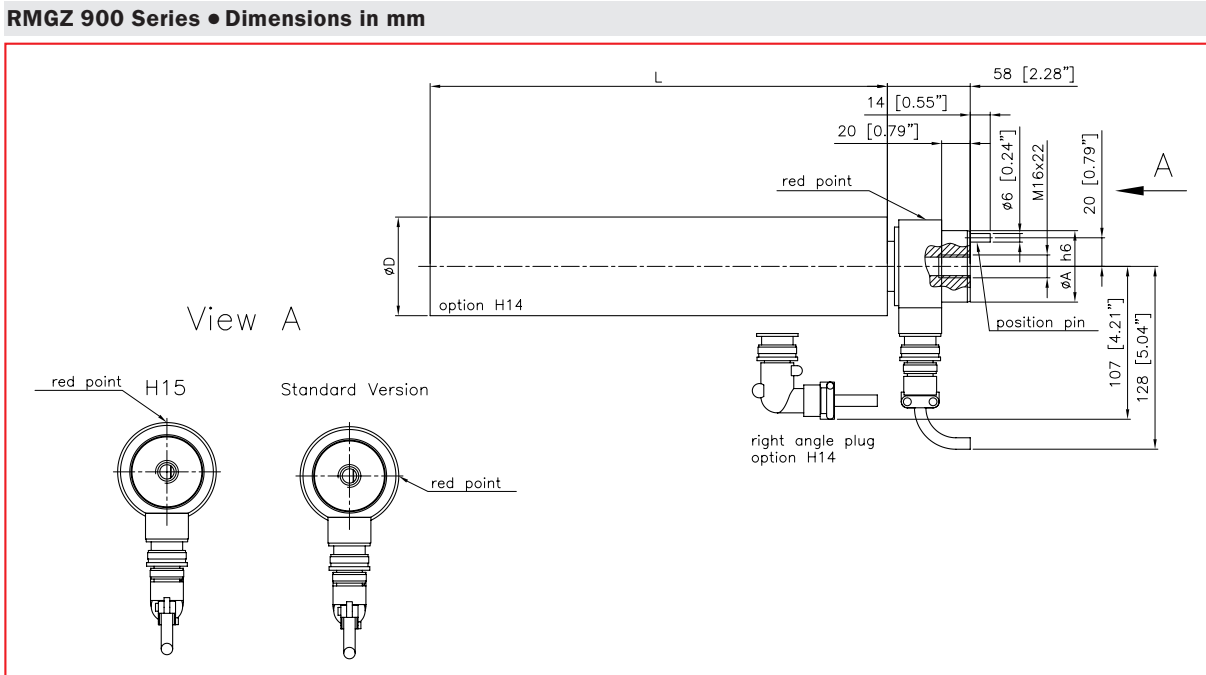


● RMGZ 900

The RMGZ 900 Series force measuring rollers are designed as self contained cantilever mount sensors that minimise machine space requirements in continuous material processing applications. They can be mounted horizontally or vertically directly to the machine frame. The red point on the base of the sensor indicates the positive measuring direction. Even with low material wrap angles, the design of the RMGZ 900 Series offers high accuracy measuring capability.

● Functional Description

Foil type strain gauges mounted in a full Wheatstone bridge configuration perform the actual tension measurement. The dual flexion beam design ensures accurate measurement at any position on the roller while maintaining the parallel position of the material and eliminating angular deflection. A built in mechanical hard-stop provides high overload protection ensuring that frequent calibration is not required.



RMGZ 900 Series • Dimensions / Nominal force

Sensor Type	Nominal force N [lbf]	Dimensions in mm [in]							
		L =	320 [12.6]	400 [15.75]	500 [19.67]	630 [24.8]	800 [31.5]	900 [34.4]	
		250 [9.84]	69 [2.72]	69 [2.72]	99 [3.9]	99 [3.9]	119 [4.69]	119 [4.69]	
			50 [1.97]	50 [1.97]	75 [2.95]	75 [2.95]	75 [2.95]	75 [2.95]	
RMGZ915	50 [11.2]	●	●	—	—	—	—	—	
RMGZ921	100 [22.5]	●	●	●	●	—	—	—	
RMGZ922	200 [45]	●	●	●	●	●	●	●	
RMGZ925	500 [112]	●	●	●	●	●	●	●	
RMGZ928	750 [169]	●	●	●	●	●	●	●	
RMGZ931	1000 [225]	●	●	●	●	●	●	●	

● = Standard

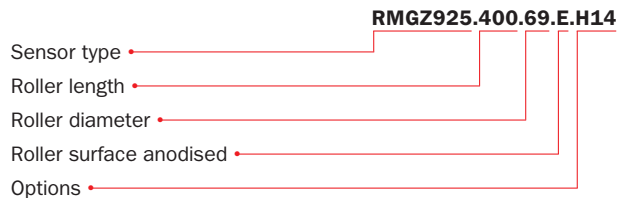
Options:

- H12** = Connector on the rear side
- H14** = Right angle connector
- H15** = Connector opposite to the red point
- H16** = Temperature range up to 120 °C [248 °F]
- H18** = Straight waterproof connector

Scope of delivery:

Straight connector, fixing screw.
 Special sizes and roller surface treatments available on request.

Order code (example):



World Headquarters:

FMS Force Measuring Systems AG

Aspstrasse 6
8154 Oberglatt (Switzerland)
Phone + 41 44 852 80 80
Fax + 41 44 850 60 06
info@fms-technology.com

FMS USA, Inc.

2155 Stonington Avenue
Suite 119
Hoffman Estates, IL 60169
Phone + 1 847 519 4400
Fax + 1 847 519 4401
fmsusa@fms-technology.com

FMS UK

Highfield, Atch Lench Road
Church Lench
Evesham WR 11 4UG
Phone + 44 1386 871023
Fax + 44 1386 871021
fmsuk@fms-technology.com

FMS Italy

Via Baranzate 67
20026 Novate Milanese
Phone + 39 02 39487035
Fax + 39 02 39487035
fmsit@fms-technology.com